



## PERFORMANCE DATA SHEET

**Meets or exceeds MEPS (Minimum Efficiency Performance Standards), as described by the US Department of Energy in docket 10CFR431 and Natural Resources Canada's Amendment 14**

Catalogue #: MTR-204FDJH

HP	kW	Voltage	Frequency	EFF.	P.F.	Frame	Design	F.L. RPM
2	1,49	115 / 208 - 230	60Hz	84,7%	0,961	56JH	B	1750

FLA			Service Factor	N.L. Amps @ 115V	N.L. Amps @ 230V	KVA Code	L.R. Amps @ 15v	L.R. Amps @ 230v
115	208	230						
16,17	8,94	8,08	1,15	3,90	1,95	H	108	54

Start Cap.	Run Cap.	Main Winding $\Omega$ 115V @ 25°C	Main Winding $\Omega$ 230V @ 25°C	Auxillary Winding $\Omega$ @ 25°C	Safe Cold Start (Secs)
400 $\mu$ f/300vac	80 $\mu$ f/450vac	0,3100	1,200	1,130	12

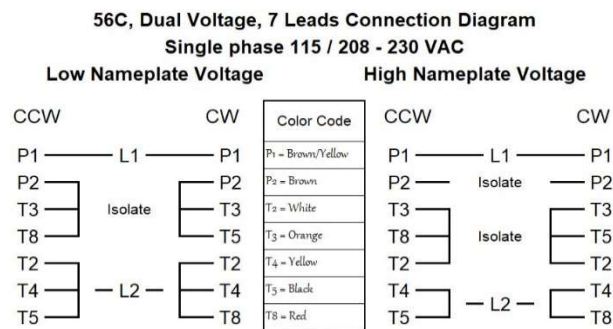
Wgt. Lbs	PH	Duty	Insul. Class	Amb.	Elevation	Temp. Rise° C
50	1	Cont.	F	40°C	1000M (3,300 Ft)	76

% Efficiency		Power Factor		Torque		Protection
Full Load:	84,7%	Full Load:	0,96	Full Load Ft/Lbs	6,0	
3/4 Load:	73,4%	3/4 Load:	0,93	Locked Rotor %	268	
1/2 Load:	54,3%	1/2 Load:	0,91	Break Down %	229	

Rotor Inertia Wk2 Lb-Ft2	Max Load Inertia Wk2 Lb-Ft2	Shaft Material	Frame Material	DE Bracket Type	ODE Bracket Type	Enclosure	NEMA Rating	Lead Wire Size
/	/	304SS	Rolled Steel	Aluminium Alloy		TEFC	IP55	/

Ball Bearings		Grease	Mount Type	Orientation	Paint	Sound Pressure @ 3FT	Sound Power
DE	ODE						
6205	6203						

### WIRING CONNECTION DIAGRAM : B





Date: 2023-12-22  
 Customer: \_\_\_\_\_  
 Contact: \_\_\_\_\_  
 Submittee: J.C. Lavallée

Catalogue #: **MTR-204FDJH**

**Meets or exceeds MEPS (Minimum Efficiency Performance Standards), as described by the US Department of Energy in docket 10CFR431 and Natural Resources Canada's Amendment 14**

HP	VAC	RPM	Enclosure	Frame	Frequency	Design	Poles	LR Code Letter	Insulation Class	Temp. Rise °C
2	230	1750	TEFC	56JH	60	B	4	H	F	76

	0%	25%	50%	75%	100%	125%	150%
Load %	0%	25%	50%	75%	100%	125%	150%
Amps	5,74	6,14	6,55	7,11	8,08	10,10	12,12
Torq ft/lbs	0	1,47	2,96	4,47	6,00	7,56	9,13
RPM	0	1787,5	1775	1762,5	1750	1737,5	1725
Eff	0	29,34	54,33	73,40	84,70	85,25	87,94
PF	0,00	90,00	91,10	93,22	96,10	94,18	91,30

	Locked Rotor	Pull-Up	Breakdown	Rated Load	Idle	Duty	S. F.	Ambient	Elevation	dBa @ 1M
Speed (RPM)	0	900	1440	1750	1800	Continuous	1,15	40°C	3,300 ft	68
Current (Amps)	54	45,9	32,1	8,08	5,7368	VFD Rating: Meets MG1 parts 31.4.4.2				
Torque (ft-lbs)	16,09	13,67	13,75	6,00	0,0	C.T.	1,2	V.T.	1,13	

